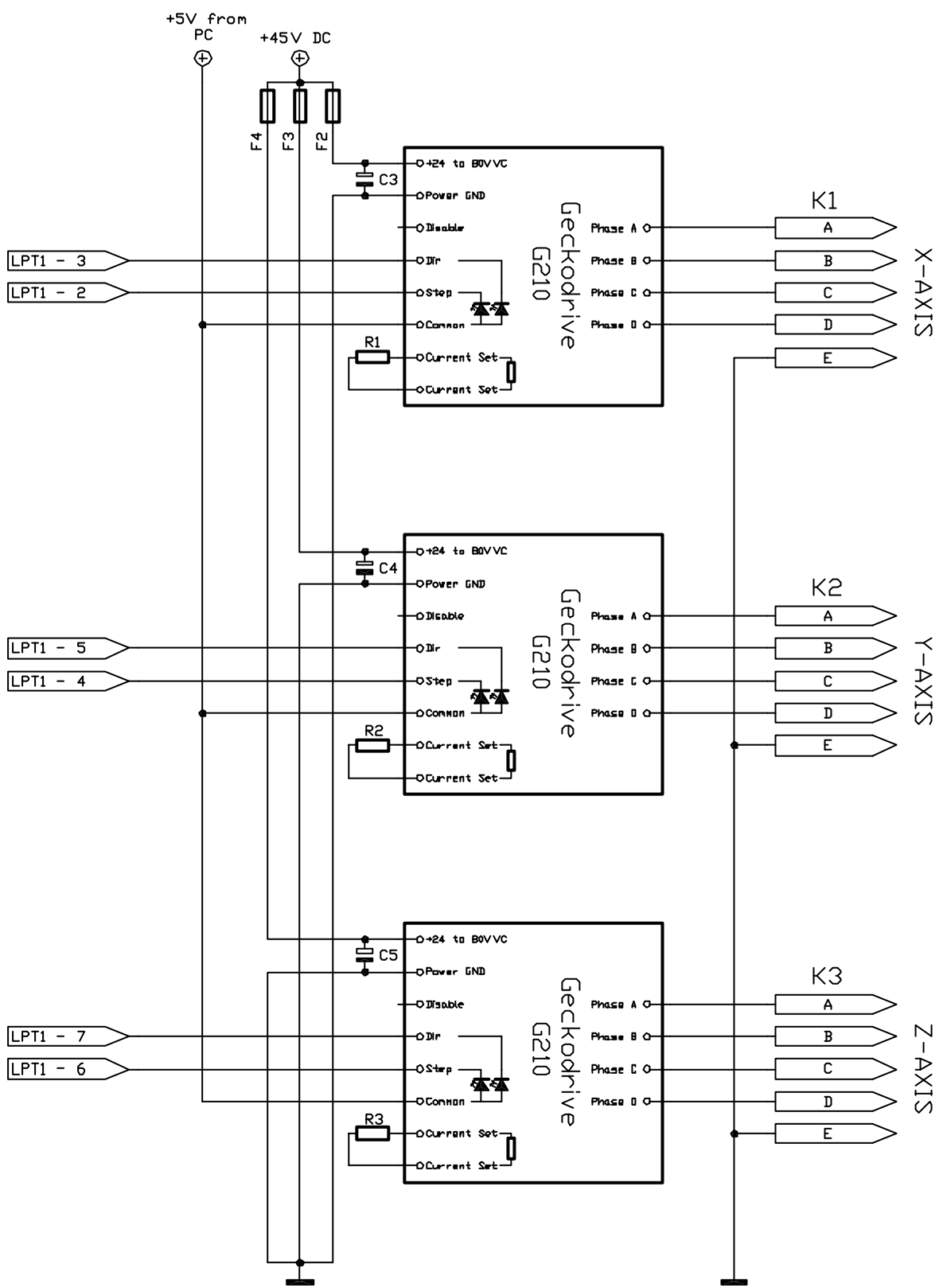
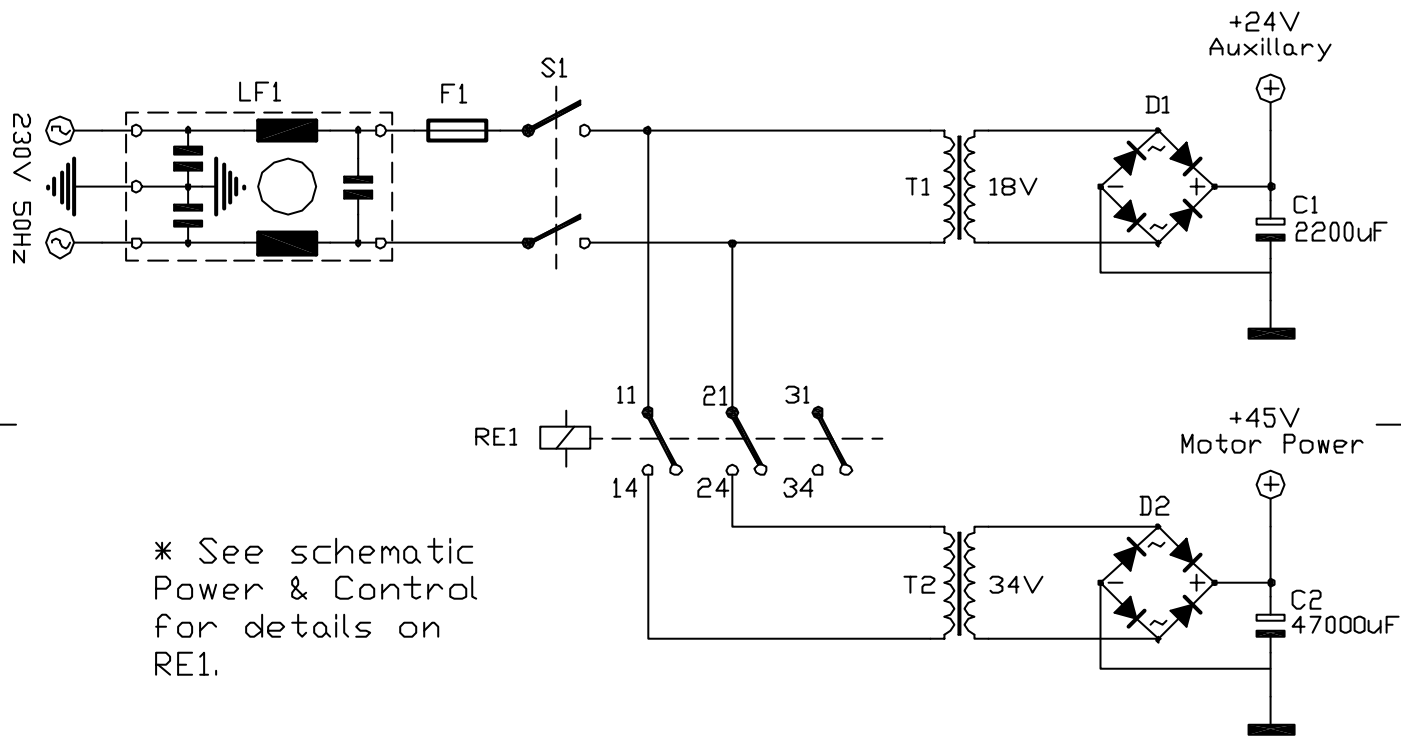


1	2	3	4
RevNo	Revision note	Date	Signature
			Checked



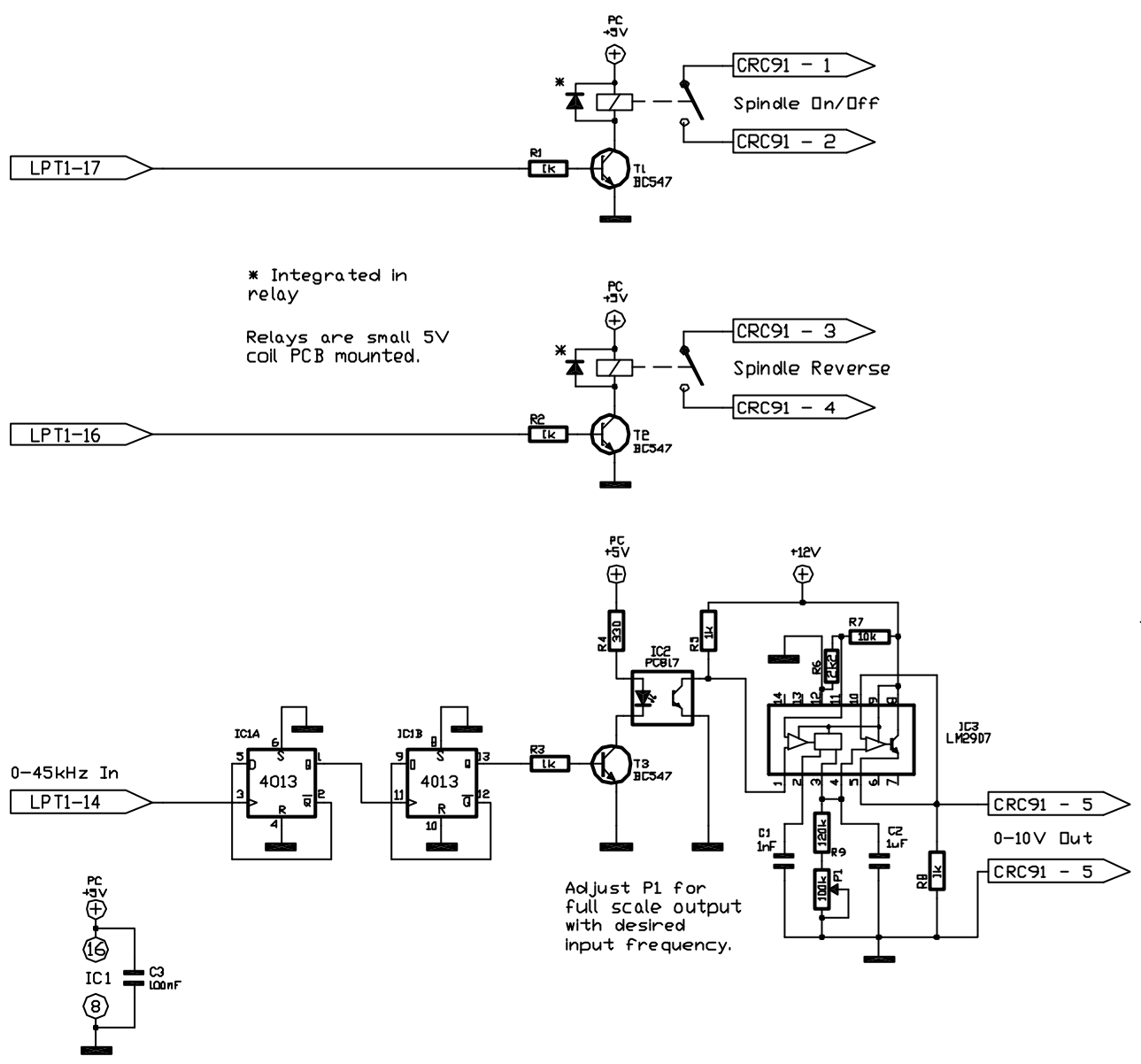
Itemref	Quantity	Title/Name, designation, material, dimension etc			Article No./Reference	
Designed by H.O	Checked by H.O	Approved by - date 2004-07-21	File name G210 Power	Date 2004-07-21	Scale 1:1	
Henrik Olsson			G210 Power & Control			
						CNC-01

RevNo	Revision note		Date	Signature	Checked
-------	---------------	--	------	-----------	---------



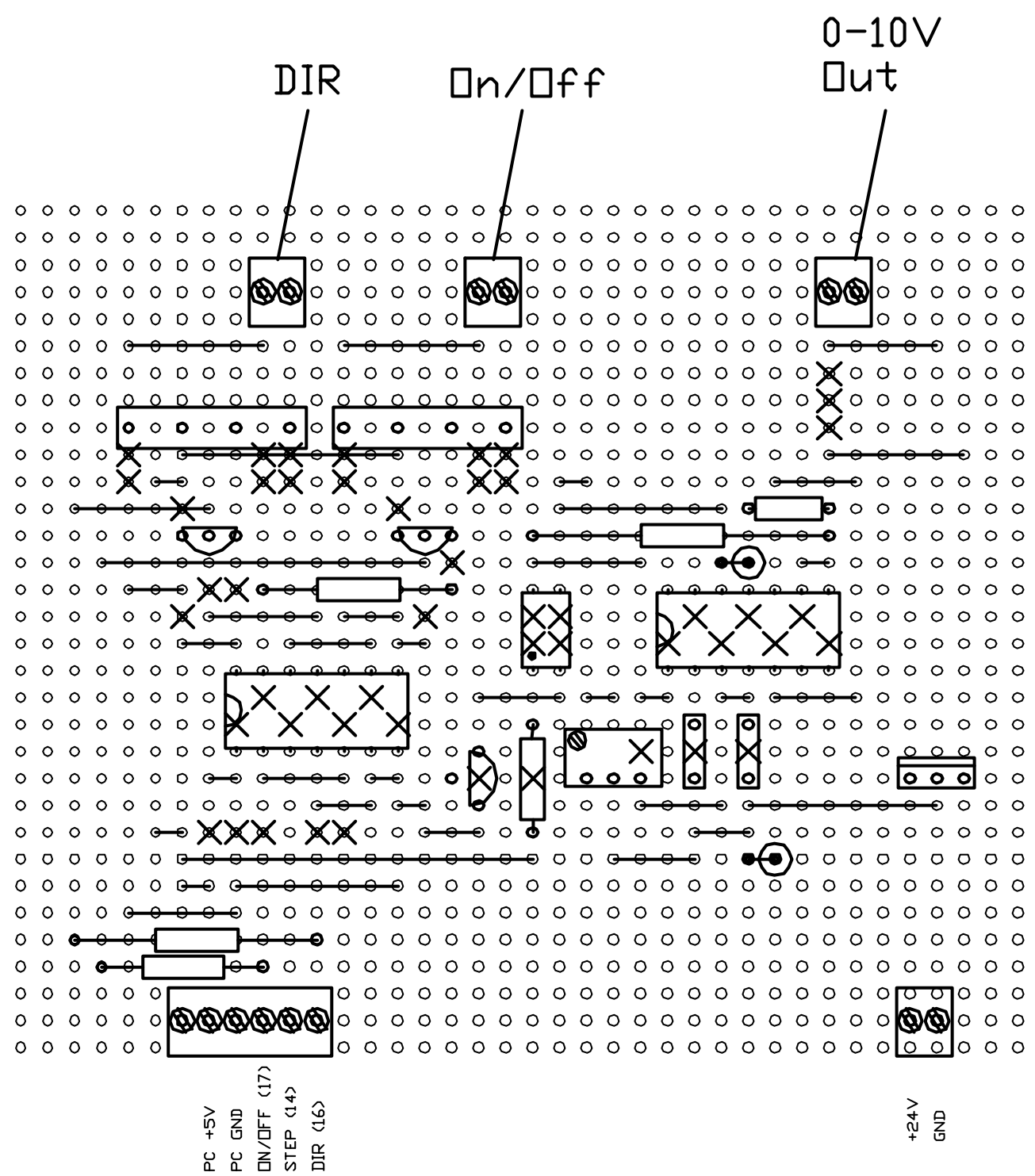
* See schematic Power & Control for details on RE1.

Itemref	Quantity	Title/Name, designation, material, dimension etc		Article No./Reference	
Designed by H.O	Checked by H.O	Approved by - date 2004-08-02	File name Power Supply	Date 2004-08-12	Scale 1:1
Henrik Olsson			Power Supply		
			CNC-02	Edition A01	Sheet 1/1



Itemref	Quantity	Title/Name, designation, material, dimension etc			Article No./Reference	
Designed by H.O	Checked by H.O	Approved by - date 2105-01-04	File name Spindle Ctrl.	Date 2005-01-04	Scale 1:1	
Henrik Olsson				Spindle Control Schematic.		
				CNC-03	Edition A01	Sheet 1/1

A
B
C
D
E
F



Itemref	Quantity	Title/Name, designation, material, dimension etc	Article No./Reference		
Designed by H.O	Checked by H.O	Approved by - date 2005-01-11	File name Spindle Ctrl. Lay	Date 2005-01-11	Scale 1:1
Henrik Olsson			Spindle Control Layout.		

A

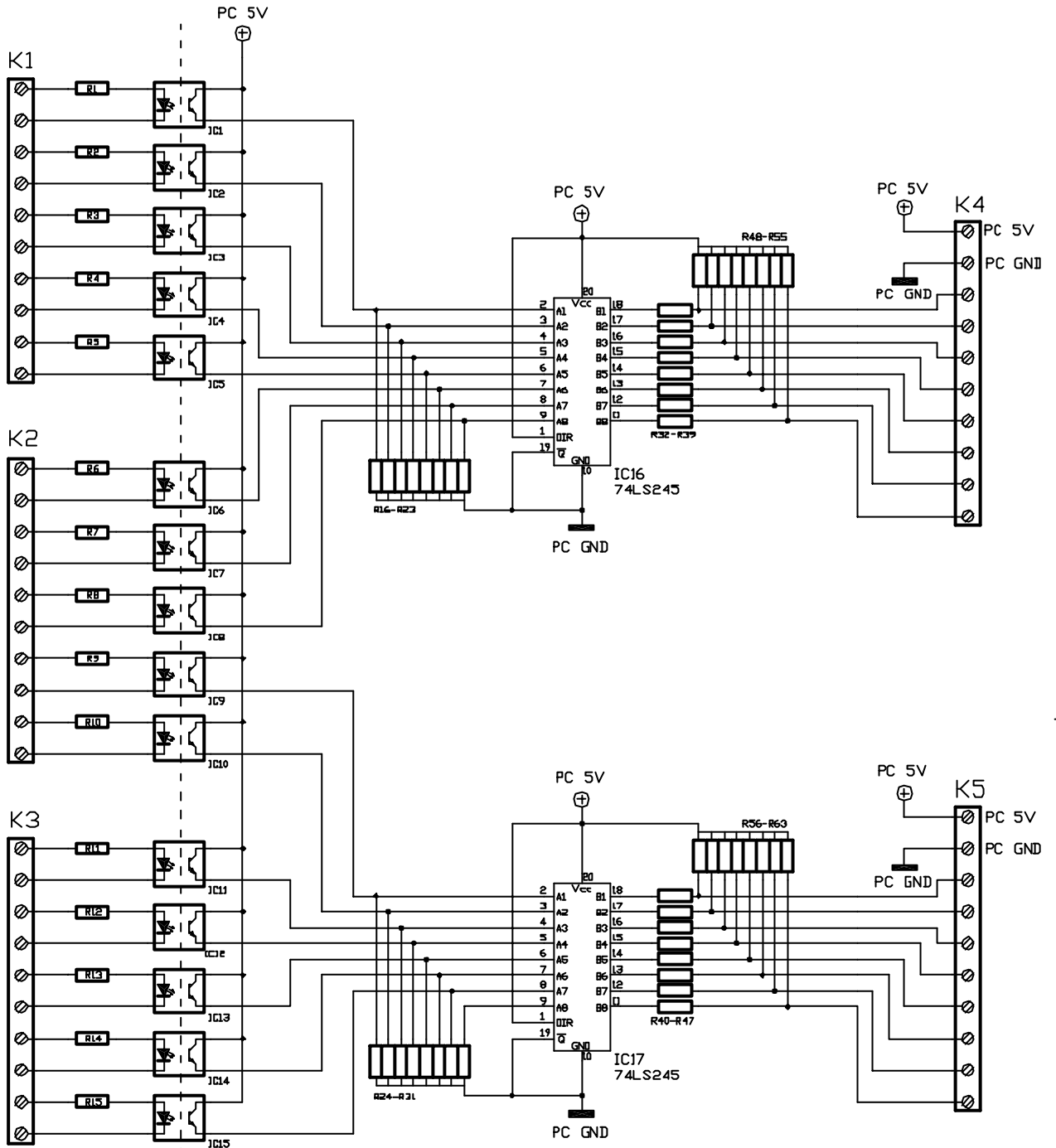
B

C

D

E

F



R1-R15:
2k2 for 24V Input,
1k for 12V Input,
330E for 5V Input.

IC1-IC15:
PC817.

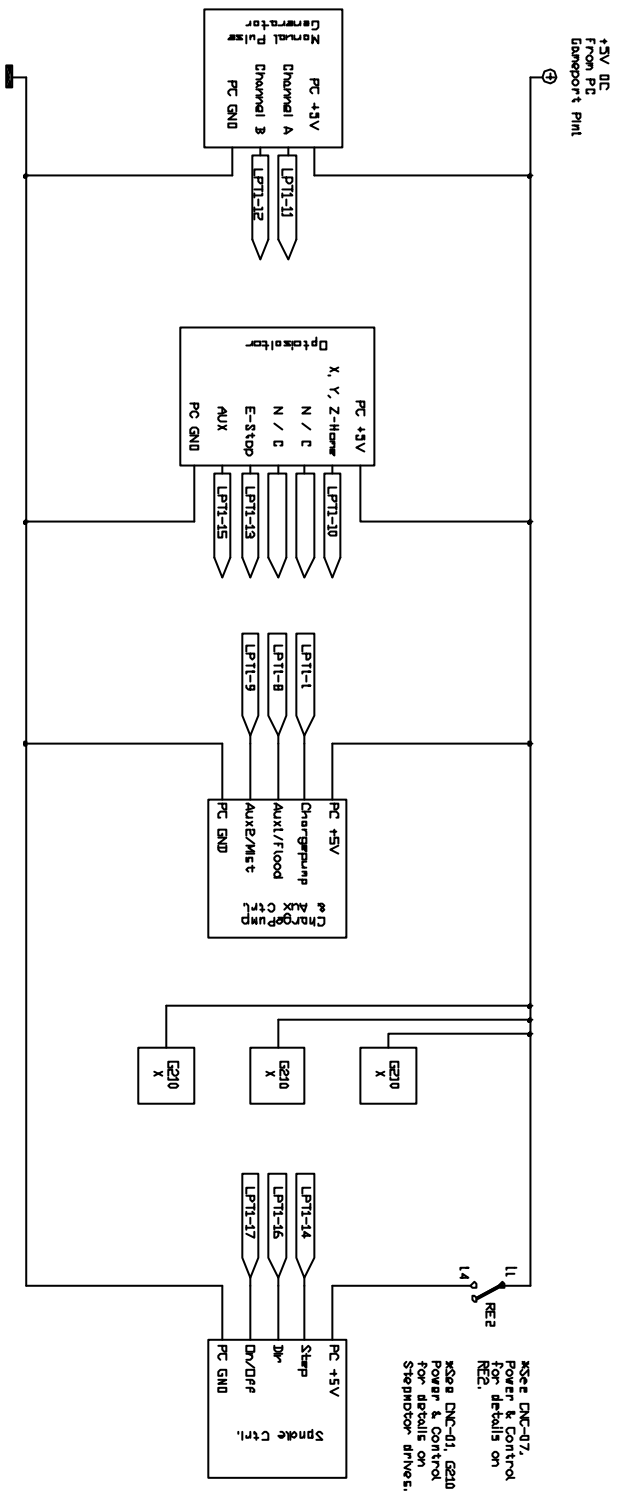
R16-R31:
10k resitornets.

R32-R47:
100E.

R48-R63:
1k resitornets.

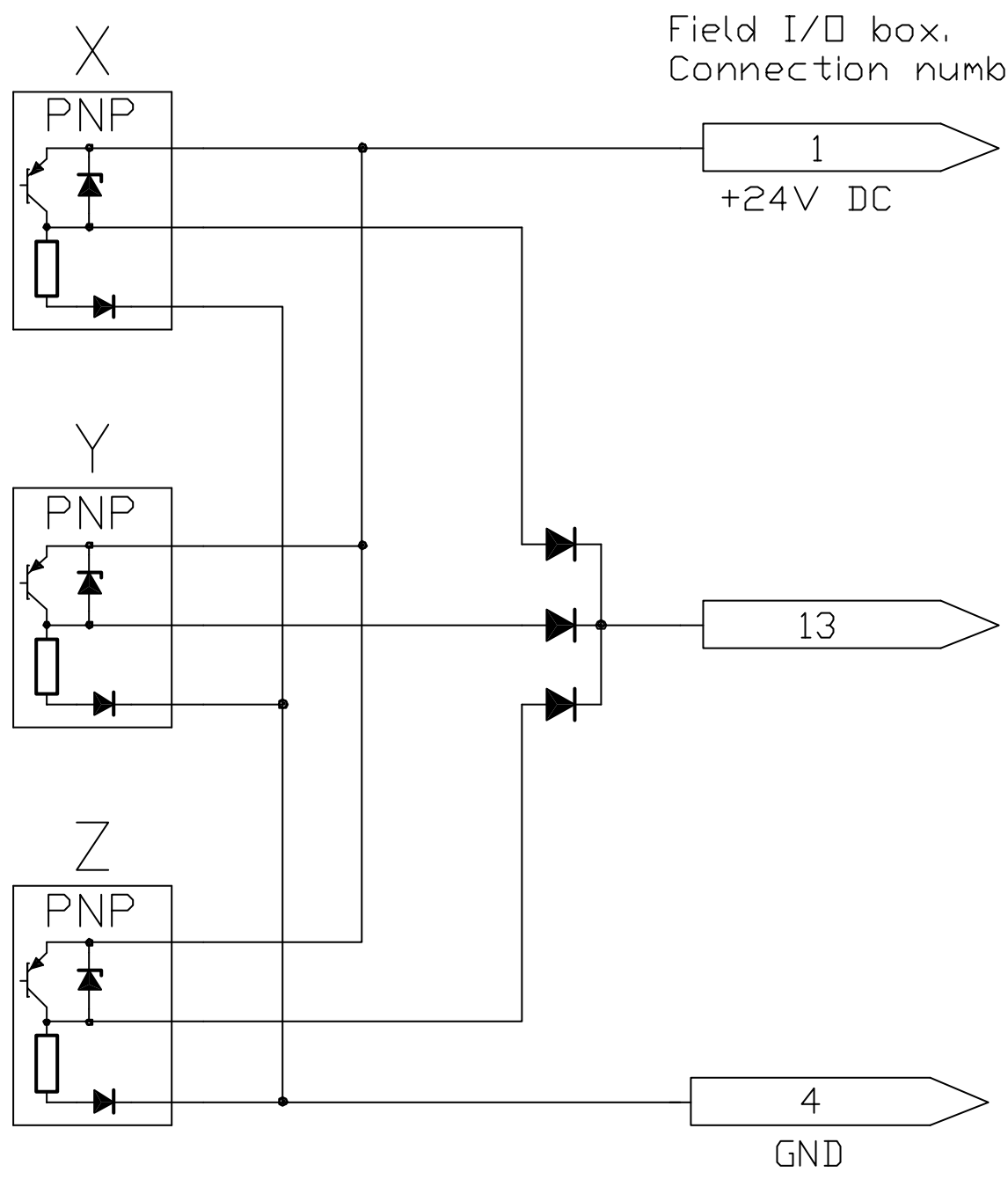
Itemref	Quantity	Title/Name, designation, material, dimension etc	Article No./Reference		
Designed by H.O	Checked by H.O	Approved by - date 2005-01-11	File name Optoisol. Schm	Date 2005-01-11	Scale 1:1
Henrik Olsson			Opto Isolator Schematic.		
			CNC-05	Edition A11	Sheet 1/1

A
B
C
D
E
F



Itemref	Quantity	Title/Name, designation, material, dimension etc	Article No./Reference		
Designed by H.O	Checked by H.O	Approved by - date 2005-11-11	File name 5V PC Supply	Date 2005-11-11	Scale 1:1
Henrik Olsson			5V PC Supply.		
			CNC-06		Edition A11

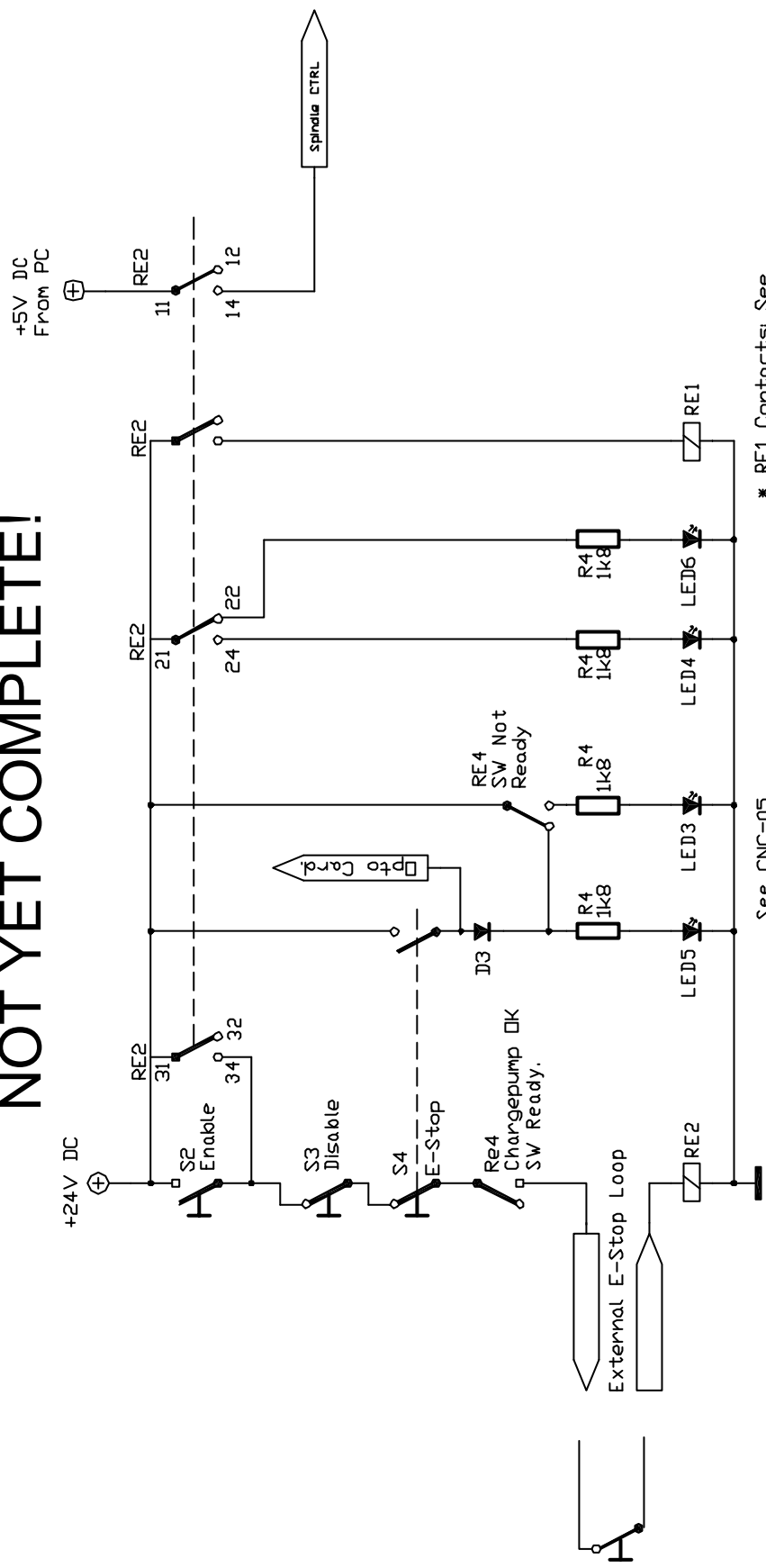
A
B
C
D
E
F



Itemref	Quantity	Title/Name, designation, material, dimension etc			Article No./Reference	
Designed by H.O	Checked by H.O	Approved by - date 2005-01-11	File name Ref Switches	Date 2005-01-11	Scale 1:1	
Henrik Olsson			Ref Switches.			
			CNC-07	Edition A11	Sheet 1/1	

A
B
C
D
E
F

NOT YET COMPLETE!



* RE1 Contacts: See schematic CNC-02, Power Supply.

See CNC-05.

Itemref	Quantity	Title/Name, designation, material, dimension etc	Article No./Reference		
Designed by H.O	Checked by H.O	Approved by - date N/A	File name Power & Control	Date 2016-11-16	Scale 1:1
Henrik Olsson			Power & Control		
			CNC-08	Edition A10	Sheet 1/1